

Accessanka

 A KEE SAFETY PRODUCT

SAFETY AT THE HIGHEST LEVEL

Portable Deadweight Anchor system for Rope Access



- CONFORMS TO CLASS B & E EN 795, BS 7883 & ISO 14567
- CE APPROVED TO PPE DIRECTIVE
- FULLY PORTABLE - NO STRUCTURAL ATTACHMENT TO ROOF SURFACE OR SURROUNDINGS
- DOES NOT PENETRATE THE ROOF SURFACE

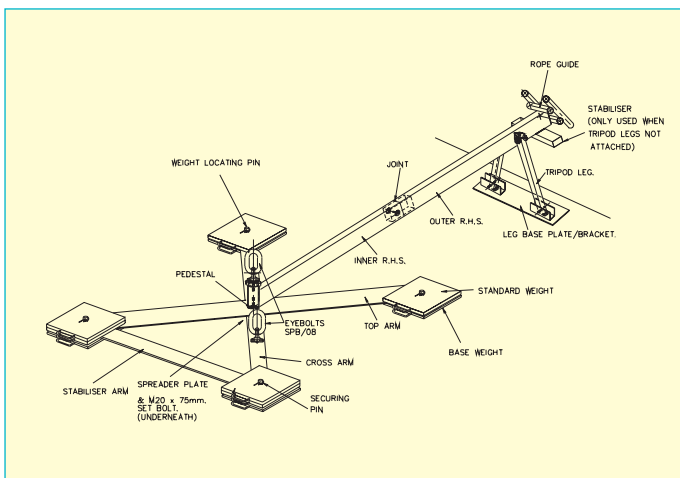
 0194

Accessanka

ACCESSANKA is designed as an accessory to **WEIGHTANKA** to provide a portable anchor device for rope access workers, allowing them to work safely in accordance with BS 7985, the "Code of Practice for the Use of Rope Access Methods for Industrial Purposes". When correctly installed, the system is extremely stable and will not migrate across the roof surface either in normal use or when arresting the fall of both a worker and a rescuer up to a 200kg limit. **ACCESSANKA** has been designed for easy transportation and installation with no part over 25kg or 2 metres.

When purchasing **ACCESSANKA** from Kee Safety Ltd, you can be assured of unrivalled technical support. Our technical team can offer practical assistance in all aspects of design, installation and compliance with relevant standards. **ACCESSANKA** is part of the **KEE ANCHOR** group of products which also includes **WEIGHTANKA** and **WIREANKA**.

Features of Accessanka



- Independently tested at N.E.L. (National Engineering Laboratory, East Kilbride, N.B. 0320)
- Conforms to CLASS B & E EN 795, BS 7883 & ISO 14567
- CE Approved to PPE Directive
- Self contained portable anchor device
- Does not penetrate the roof surface
- Separate anchor point for working line and back up line
- Modular construction
- Internally force balanced system causes the assembly to remain static, even when arresting the fall of both worker and rescuer

Benefits of Accessanka



- Requires no attachment to structural members
- Easily moved across roof surface, removing need for multiple attachment points
- Rope lines held away from edge of building reducing risk of abrasion
- Provides full fall arrest protection before approaching edge
- Aluminium, galvanised and rubber coated parts requiring minimum maintenance



Kerrect Group Pty Ltd

Tel: +61 (2) 9519 9244

Email: keesafety@kerrect.com.au

www.kerrect.com.au